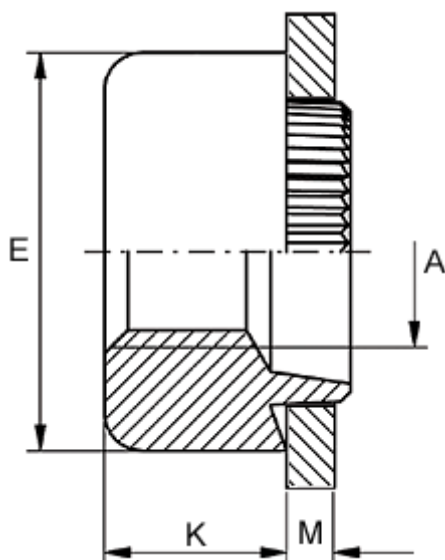


Article number: 12703000050100

Description: KLEE-coil 703 000 050.100  
M5 Unhardened

## Measures

---



Female thread A	= M5
Height K	= 3.0
Outer diameter E	= 11.0
Plate thickness	= 0.8
Recommended bore diameter for extreme load	= 8.0
Recommended bore diameter for normal use	= 8.0